

SPECIFICATION:

MEA END CAP FOR CHANNEL START AND END. SUITABLE WITH S1000 POLYMER CONCRETE TRENCH DRAIN SYSTEM.

Supplied By:



877-903-7246
www.trenchdrainsupply.com

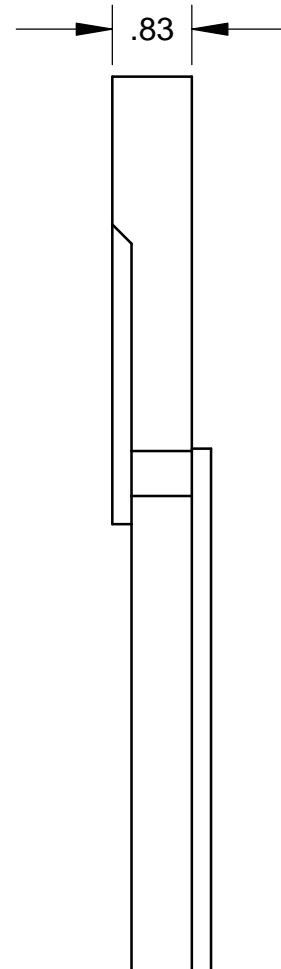
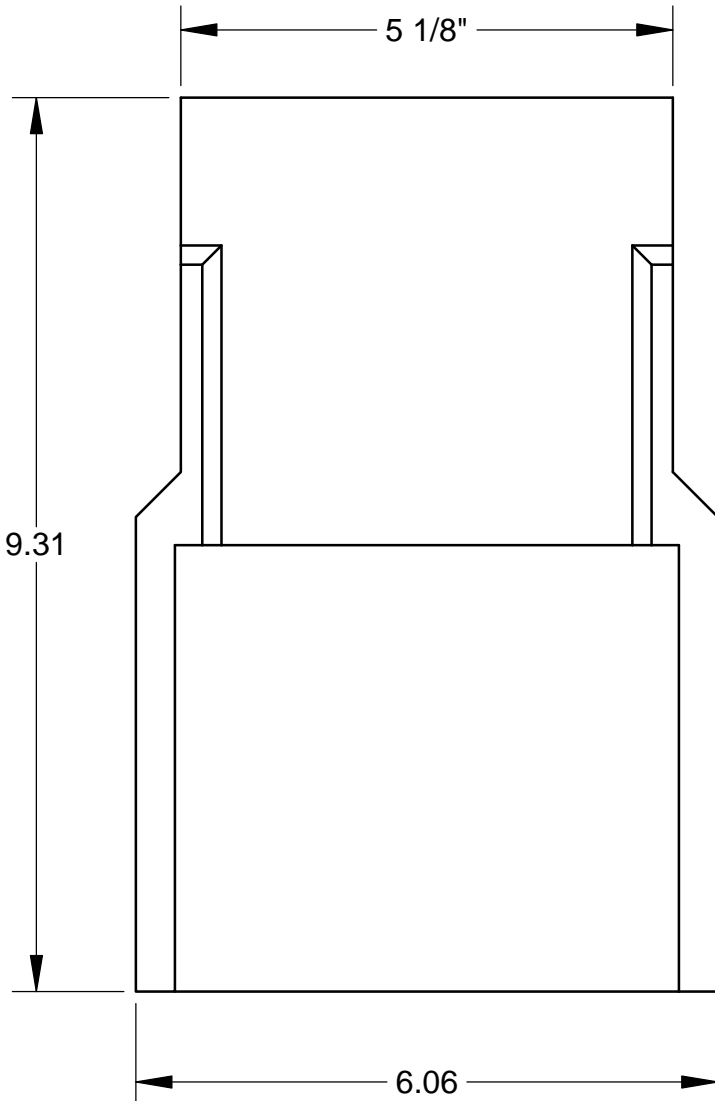
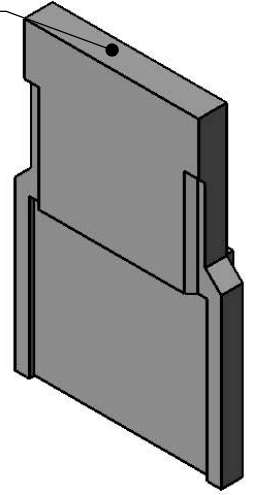
END CAP

MEA S1000

SERIES

151671

STAINLESS STEEL TOP



DATE OF LAST CHANGE: 9/06/12

DIMENSIONS ARE SUBJECT TO MANUFACTURERS TOLERANCES AND CHANGE WITHOUT NOTICE. WE CAN ASSUME NO RESPONSIBILITY FOR USE OF SUPERSEDED OR VOID DATA.

JOSAM COMPANY
MICHIGAN CITY, INDIANA

NOTES